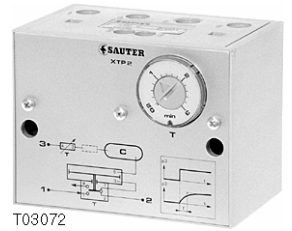


### XTP 2: Time-lag relay

Used as a variable attenuator for pneumatic signals, e.g. in the case of switched (surging) control pressures. Conforms to the regulations on pressure equipment (97/23/EG Art. 3.3). Housing of thermoplastic; front plate with adjuster for the time constant; embossed with connection diagram and description of operation. Suitable for mounting on walls or rails (as per C EN 50024, C EN 50022; see *Accessories*). Compressed-air connection Rp 1/8 female thread.



T03072



Y03176

Type	Time constant min	Air output	Air consumption	Weight kg
<b>XTP 2 F001</b>	0.2...3 <sup>1)</sup>	400 l <sub>n</sub> /h	6 l <sub>n</sub> /h	0.15
Supply pressure <sup>2)</sup>	1.3 ± 0.1 bar	Permissible amb. temperature		0...55 °C
Input pressure	0...1.4 bar	Connection diagram		A02895
Output pressure	0...1.4 bar	Dimension drawing		M297107
		Fitting instructions		MV 7329

#### Accessories

**0296936 000\*** Fixing bracket for rail 35 × 7,5 and 35 × 15

**0297277 000** Resistor and scale for increasing the time constant to between 3 and 6 minutes

<sup>\*)</sup> Dimension drawing or wiring diagram are available under the same number

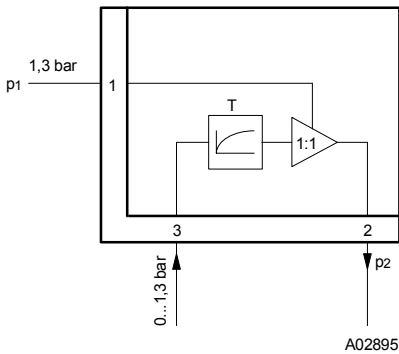
1) Accessory 0297277 allows the time constant to be increased to between 3 and 6 minutes

2) See Section 60 on regulations concerning the quality of supply air, especially at low ambient temperature.

#### Operation

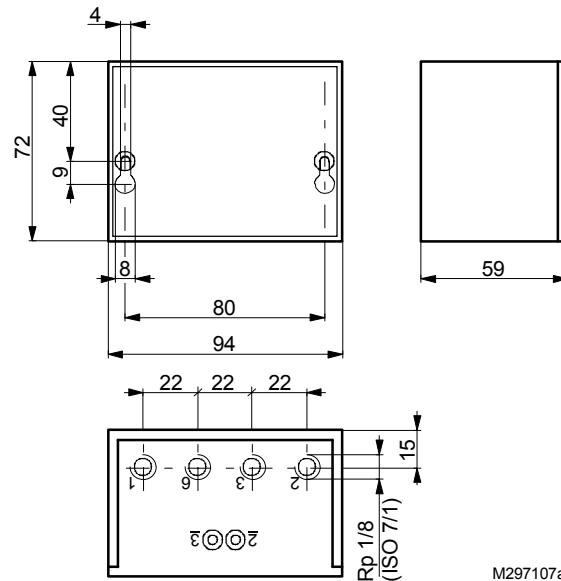
By turning the adjuster knob, the time constant T can be varied between 0.2 and 3 minutes, regardless of the capacity connected (with accessory Z 0297277, this can be increased to between 3 and 6 minutes). The relay can either supply or retract air, without impairing operation.

#### Connection diagram



A02895

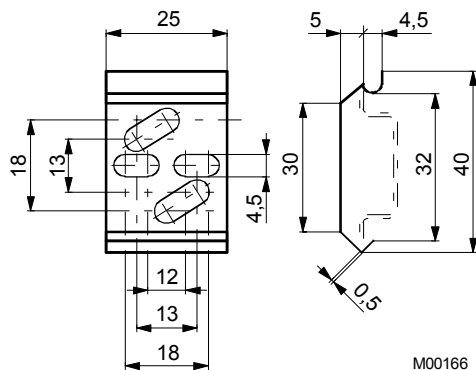
#### Dimension drawing



M297107a

#### Accessories

296936



M00166