

Connecting pieces and fitting material for pneumatic uses

Suitable for fast fitting on site and in control panels.
See table for specifications, plus thread and material details.

Type	Description	Tube di [mm]	Thread	Material
0277790 000*	Hose clamp d = 6 for T > 40 °C			
0296218 000*	Union piece, plug-in type	4		
0296990 000*	Union piece, screw type	4		
0297169 000*	'Plasto-Joint' sealing stick			
0297354 000*	Connection nipple, R 1/8, for tube d = 4	4		
0297772 001*	Screw-type nipple, M4	4		
0382050 004*	Screw-in connector, straight	4	G 1/8	Brass, nickel-plated
0382050 006*	Screw-in connector, straight	6	G 1/8	Brass, nickel-plated
0382050 008*	Screw-in connector, straight	8	G 1/8	Brass, nickel-plated
0382051 004*	T-piece	4		Polymer H.F.
0382051 006*	T-piece	6		Polymer H.F.
0382051 008*	T-piece	8		Polymer H.F.
0382052 010*	T-piece	10		Polymer H.F.
0382053 004*	Union piece	4 - 6		Polymer H.F.
0382053 006*	Union piece	6 - 8		Polymer H.F.
0382054 004*	Schott connector	4		Polymer H.F.
0382054 006*	Schott connector	6		Polymer H.F.
0382054 008*	Schott connector	8		Polymer H.F.
0382055 004*	Plug	4		Polymer H.F.
0382055 006*	Plug	6		Polymer H.F.
0382055 008*	Plug	8		Polymer H.F.
0382056 004*	Y-piece	4 - 6		Polymer H.F.
0382056 006*	Y-piece	6 - 6		Polymer H.F.
0382057 004*	Y-piece, screw-in plug	4	G 1/8	Polymer/brass
0382057 006*	Y-piece, screw-in plug	6	G 1/8	Polymer/brass
0382058 008*	Screw-in connector	8	R 3/8	Polymer/brass
0382059 006*	Elbow, screw-on connector		G 1/8	Polymer/brass
0382059 008*	Elbow, screw-on connector		G 1/8	Polymer/brass
0382060 004*	Elbow, screw-in connector		G 1/8	Polymer/brass
0382060 006*	Elbow, screw-in connector		G 1/8	Polymer/brass
0382060 008*	Elbow, screw-in connector		G 1/4	Polymer/brass
0382060 010*	Elbow, screw-in connector		G 3/8	Polymer/brass
0382061 004*	Elbow, screw-in rotary connector			Polymer/brass
0382062 008*	T-shaped, three-fold, plug-in connector	8 - 6		Polymer/brass
0382062 010*	T-shaped, three-fold, plug-in connector	10 - 8		Polymer/brass
0382063 006*	8-fold distributor	6	G 1/4	Anodised aluminium
0382063 008*	6-fold distributor	8	G 3/8	Anodised aluminium
0382064 007*	Through ball valve		G 3/8	Brass, nickel-plated

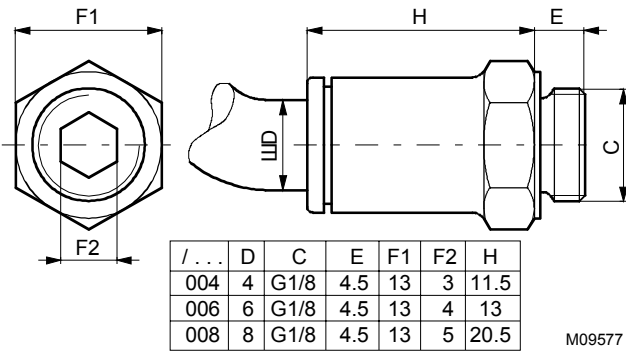
Accessories

5658900 000	100m flexible tube, da/di = 8/5.5mm, black, for Dp measurement [effect. pressure (+/-)]
5658901 000	100m flexible tube, da/di = 6/4mm, black, for actuating pressure for damper drive
5658902 000	100m flexible tube, da/di = 8/5.5mm, red, for supply pressure
5658903 000	100m flexible tube, da/di = 4/2.5mm, green, for V (actual) room balancing, TUP224 F901
5658904 000	100m flexible tube, da/di = 6/4mm, red, for supply pressure
5658905 000	100m flexible tube, da/di = 8/5.5mm, blue, for reference pressure line, room pressure
5658906 000	100m flexible tube, da/di = 6/4mm, yellow, for signal pressure line, room sensor
5658907 000	100m flexible tube, da/di = 4/2.5mm, yellow, room pressure shift, RXP 212
5658920 000	25m flexible double tube, da/di = 6/4, black+blue, for Dp measurement [ef. press. (+/-)]

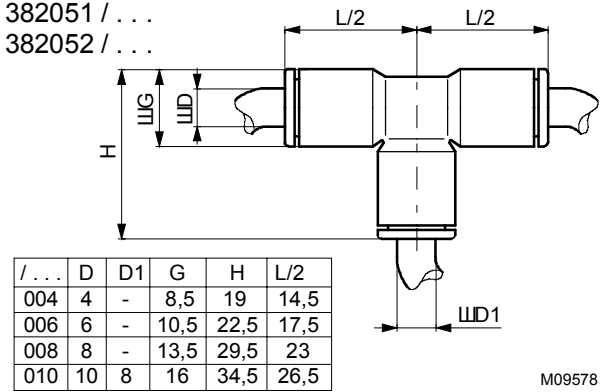
*) Dimension drawing for accessories is available under the same number.

Dimension drawings

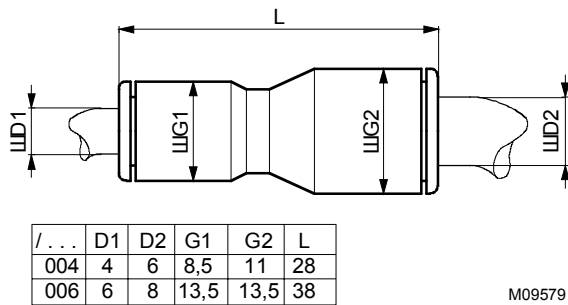
382050 / ...



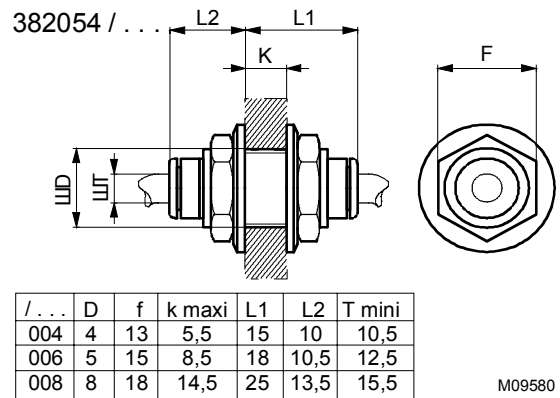
382051 / ...
382052 / ...



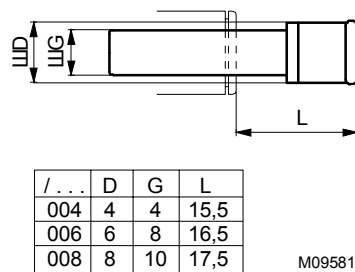
382053 / ...



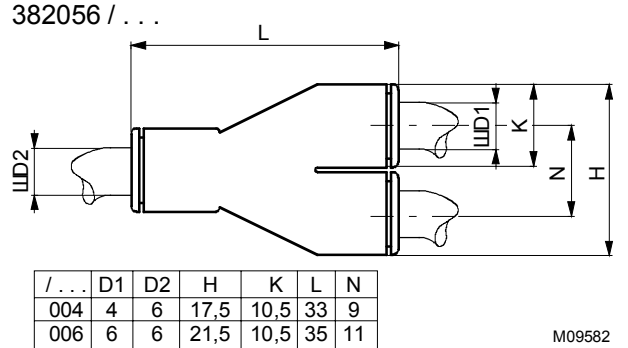
382054 / ...



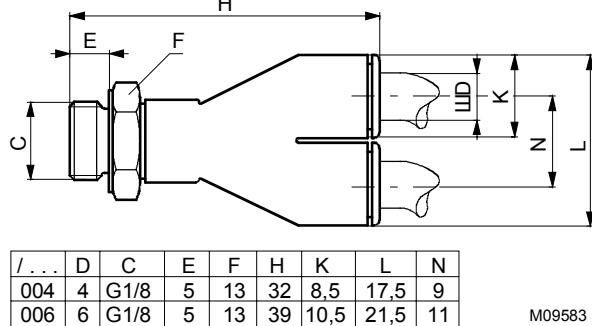
382055 / ...



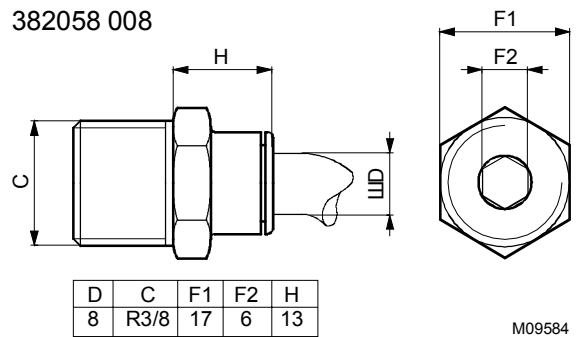
382056 / ...



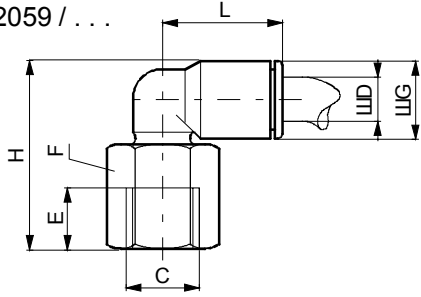
382057 / ...



382058 008



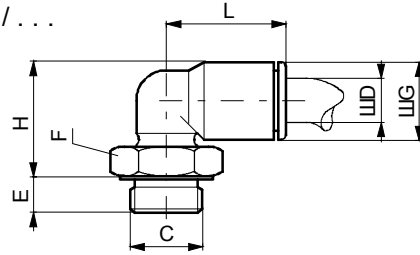
382059 / ...



/ ...	D	C	E	F	G	H	L
006	6	G1/8	8,5	13	10,5	25	16
008	8	G1/8	8,5	13	13,5	28	23

M09585

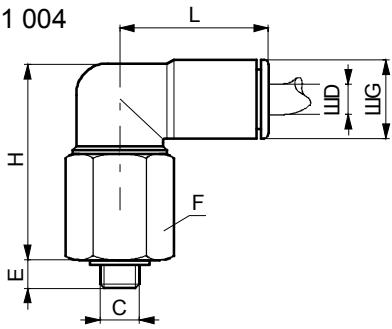
382060 / ...



/ ...	D	C	E	F	G	H	L
004	4	G1/8	5	13	8,5	13	14
006	6	G1/8	5	13	10,5	15	16
008	8	G1/4	5,5	16	13,5	18,5	23
010	10	G3/8	5,5	20	16	22	26,5

M09586

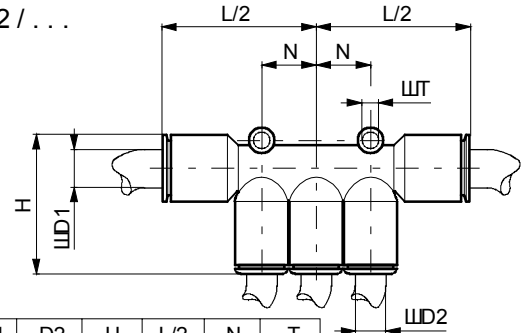
382061 004



D	C	E	F	G	H	L
4	M5x0,8	3,5	12	10	25	19,5

M09587

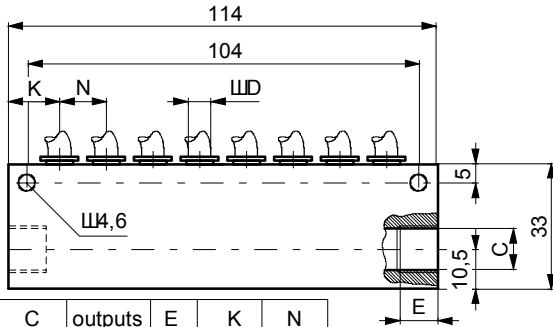
382062 / ...



/ ...	D1	D2	H	L/2	N	T
008	8	6	24,5	37	11,5	4,2
010	10	8	36	40,5	14,5	4,2

M09588

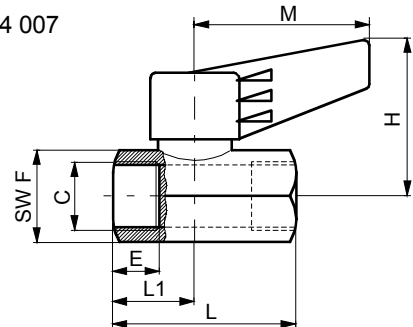
382063/...



/ ...	D	C	outputs	E	K	N
006	6	G1/4	8	10	13,5	12,5
008	8	G3/4	6	12	19	15

M09589

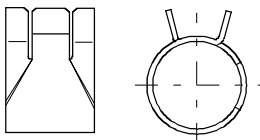
382064 007



C	E	DN	F	H	L	L1	M
G3/8	11	7	22	38	45	20	43

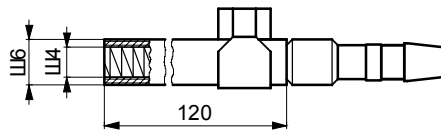
M09590

277790



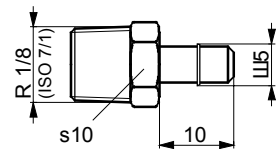
M02438

296218



M00563

297354



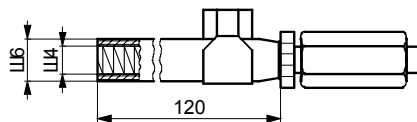
M00568

297169



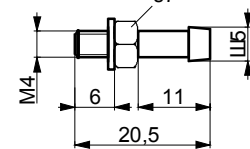
M02442

296990



M00564

297772



M03499